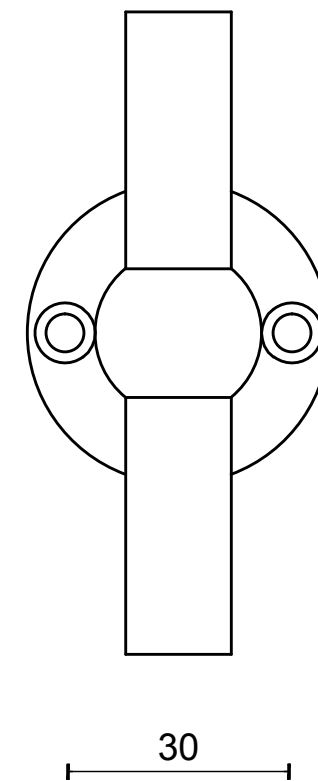
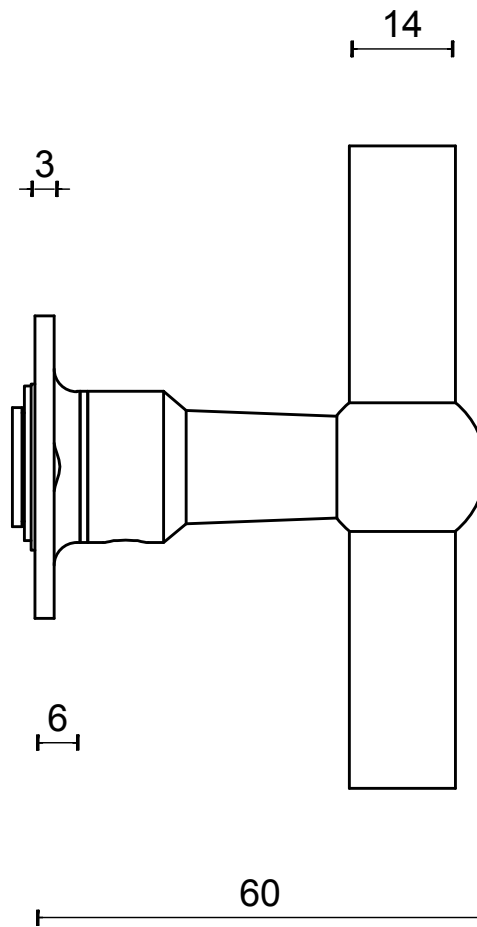
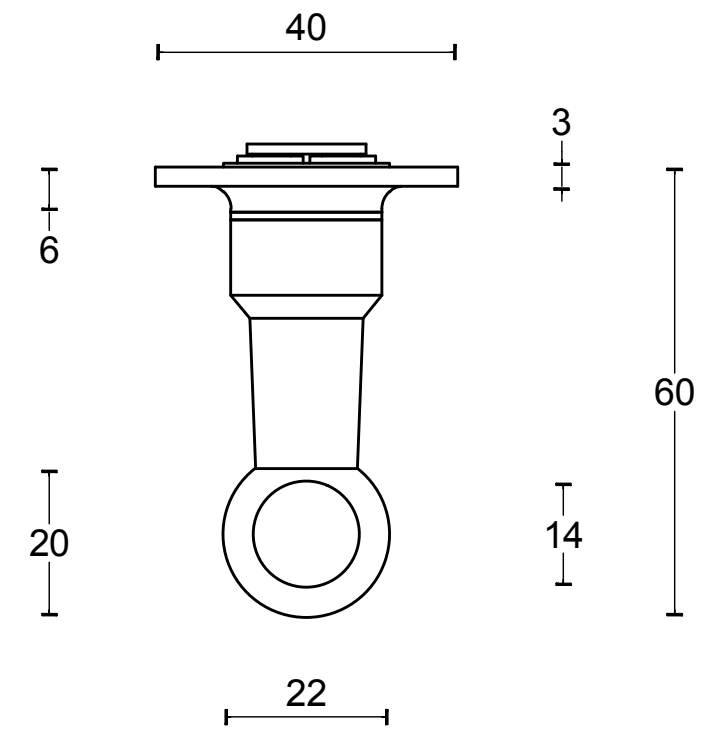
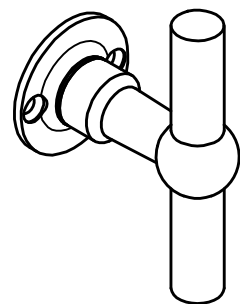
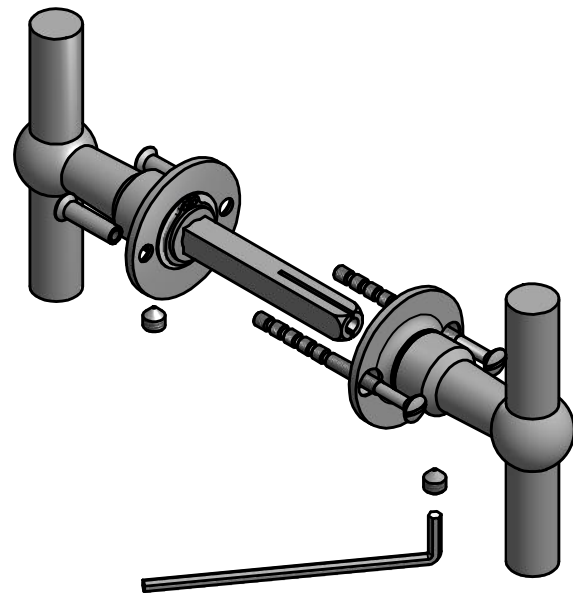


FVT85/40

unsprung lever handle on rose
stainless steel



<h1>FORMANI®</h1>		Part number: 1501D086 FVT85 40 V02	
		Description: FVT85/40	
Doc no.: 1501D086 FVT85 40 V02.dwg		Format: A3	
Drawn by: Christian Brimbois	Creation date: 12-11-2014		
FORMANI HOLLAND B.V. EUROPALAAN 12 6199 AB MAASTRICHT AIRPORT NL T +31 (0)43 308 90 00 INFO@FORMANI.COM FORMANI.COM			