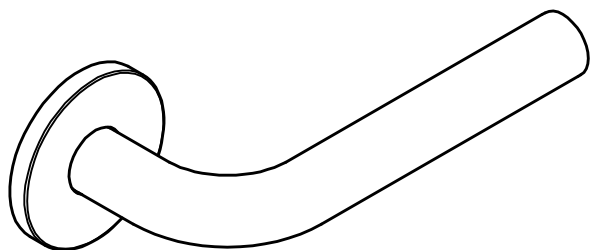
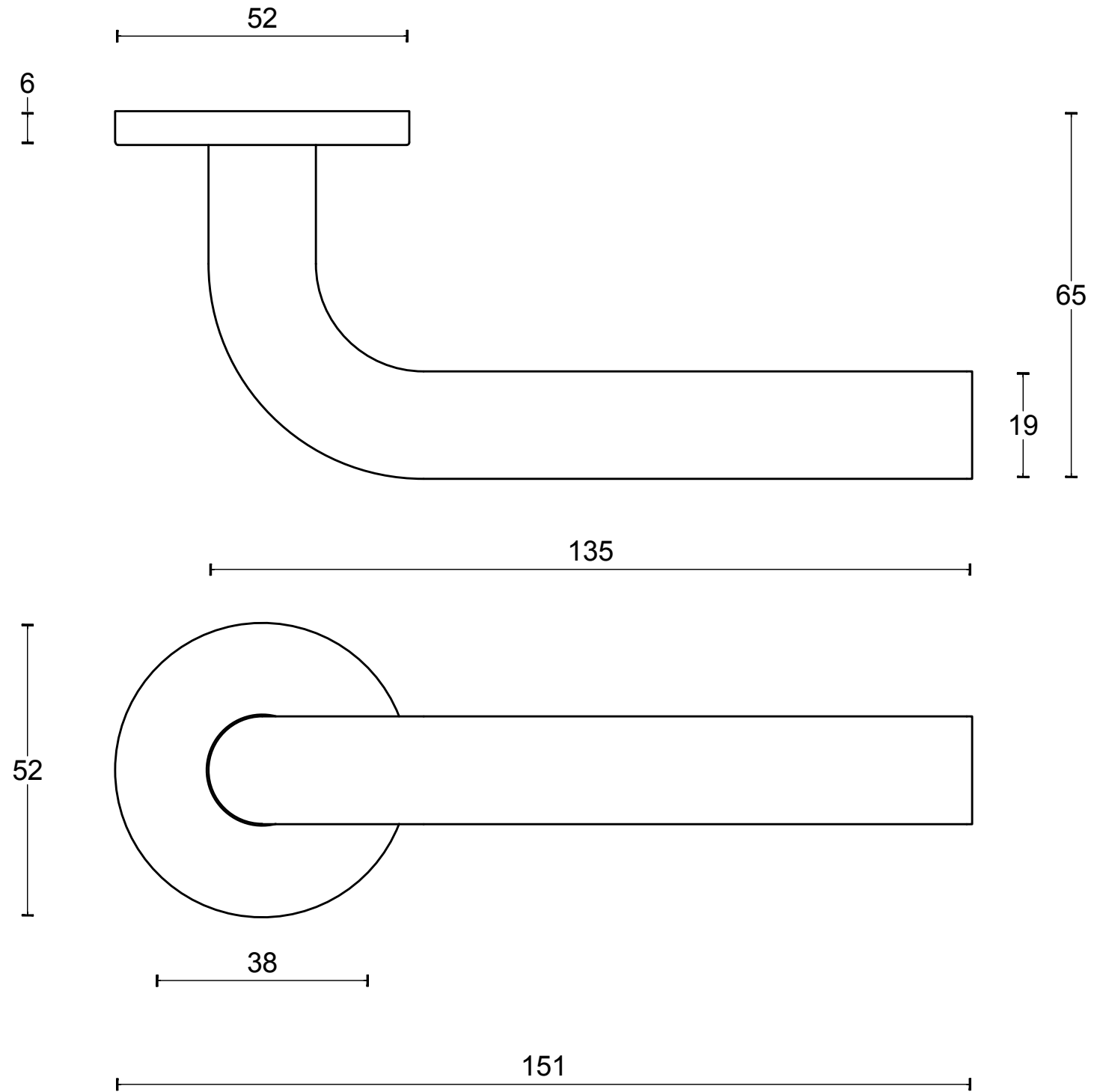
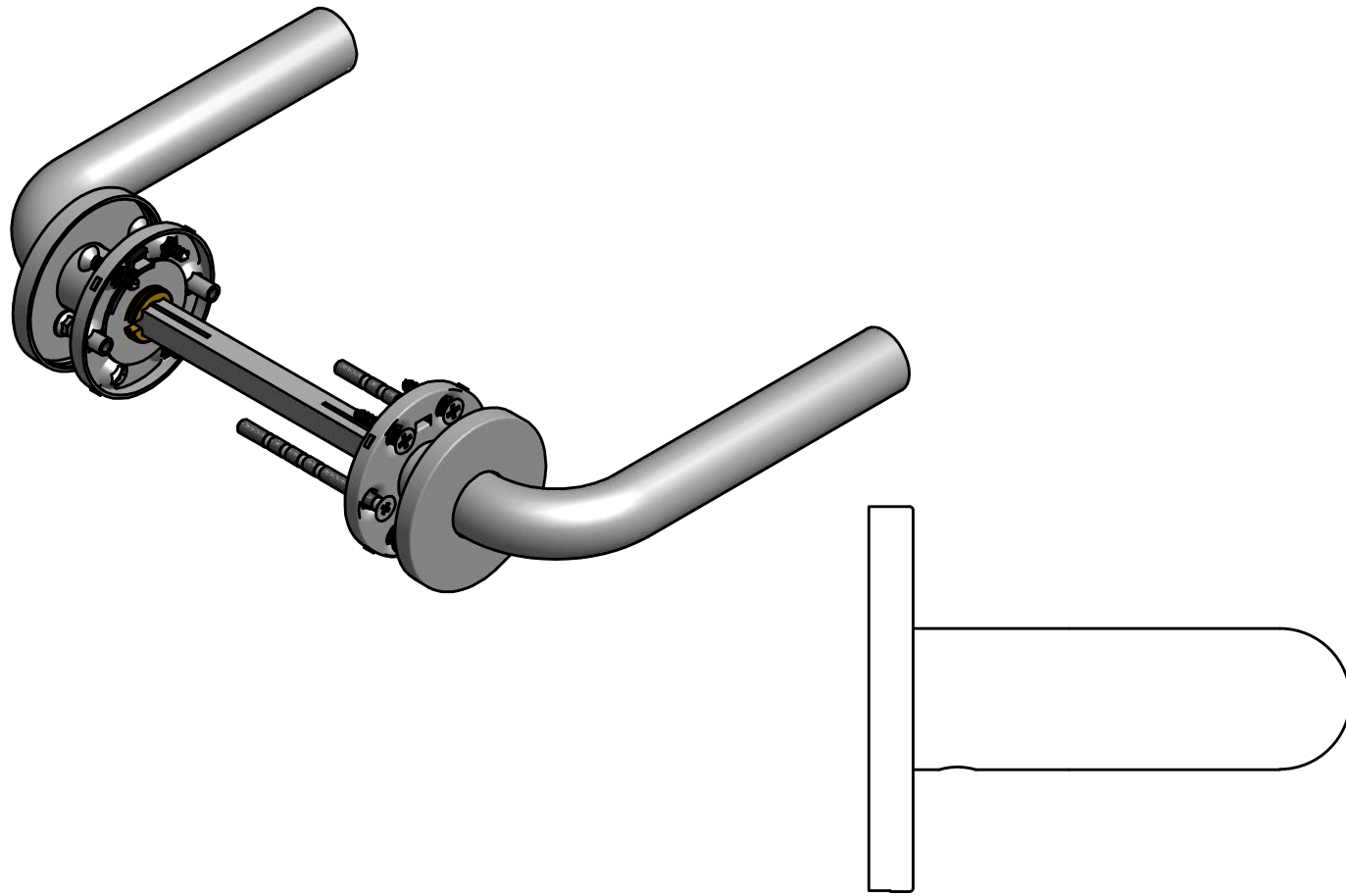


LBIII-19

sprung lever handle attached to rose
with metal sub-rose
stainless steel



| | | | |
|--|---------------------------|---------------------------------------|-----------|
| FORMANI [®] | | Part number: 1501D044 LBIII-19 V01 | |
| | | Description: LBIII-19 | |
| Doc no.: | 1501D044 LBIII-19 V01.dwg | Format: | A3 |
| Drawn by: | Christian Brimbois | Creation date: | 4-2-2014 |
| Formani Holland B.V. · Amerikalaan 55 · 6199 AE Maastricht Airport · tel: +31 (0)43 308 90 00 · www.formani.nl · info@formani.nl | | | |