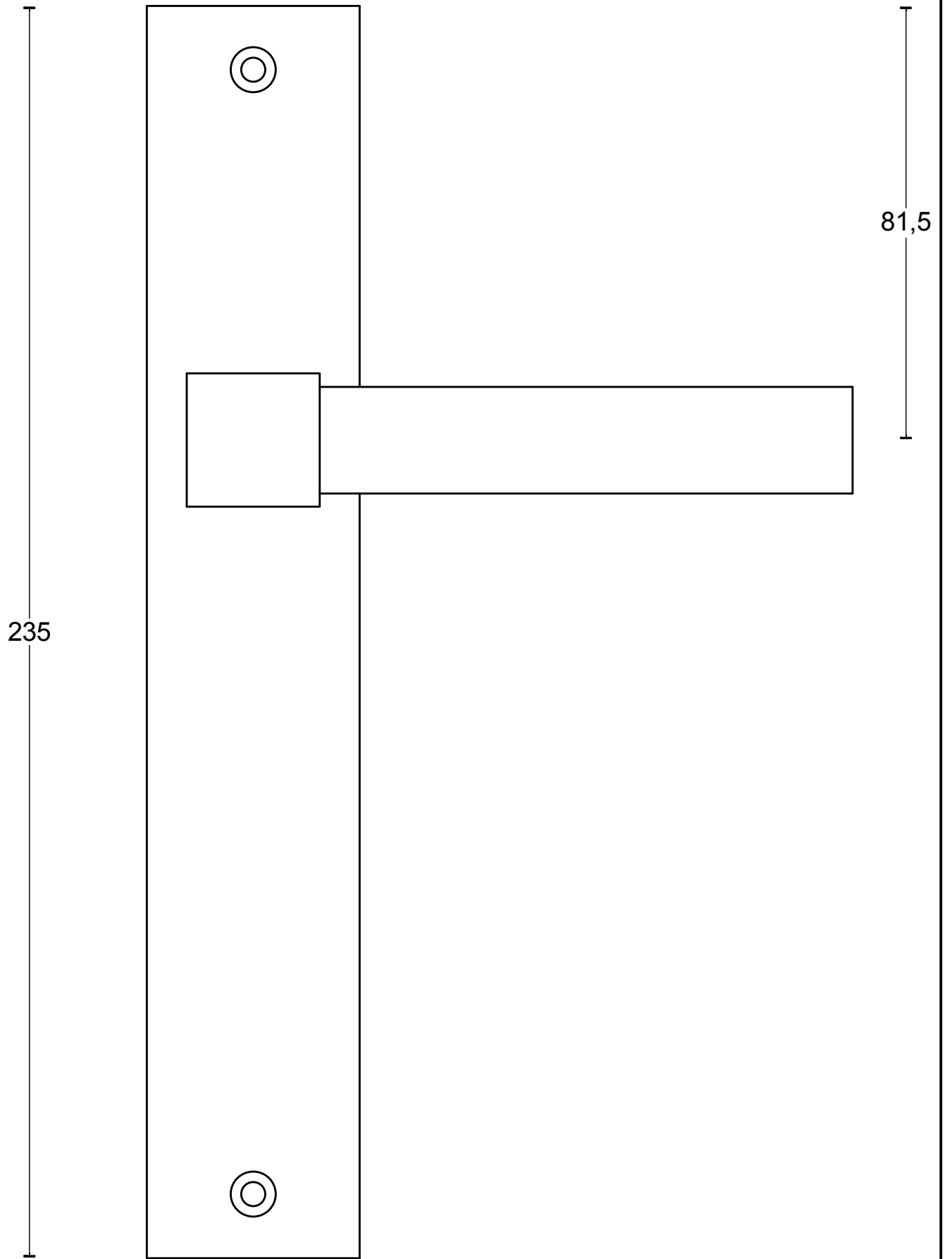


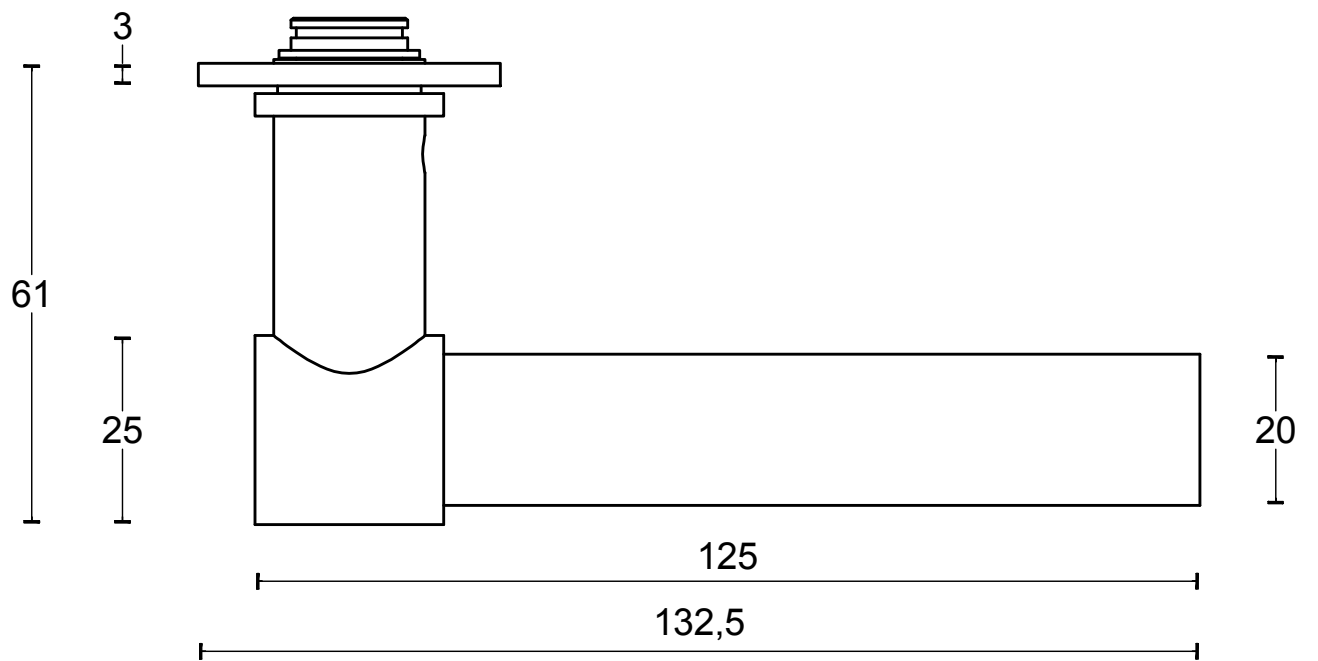
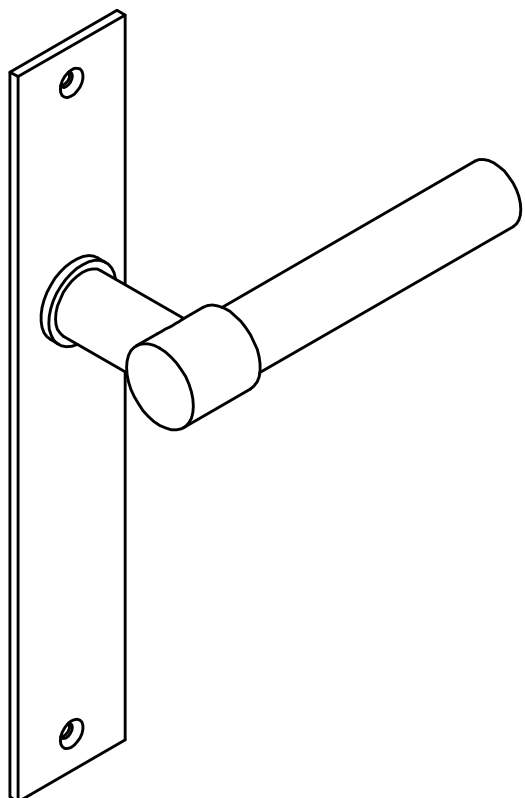
3 57



235

81,5

40



3

61

25

125

132,5

20

FORMANI®

Part number:

Description:

Format:

Doc no.: 2701D014 PBL20XLP236SFC V01.dwg

Drawn by: Christian Brimbois

Creation date: 5-9-2017

A3