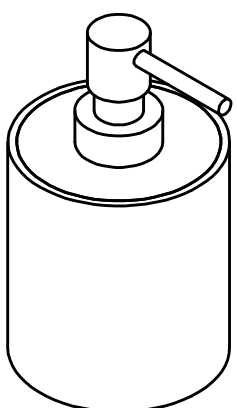
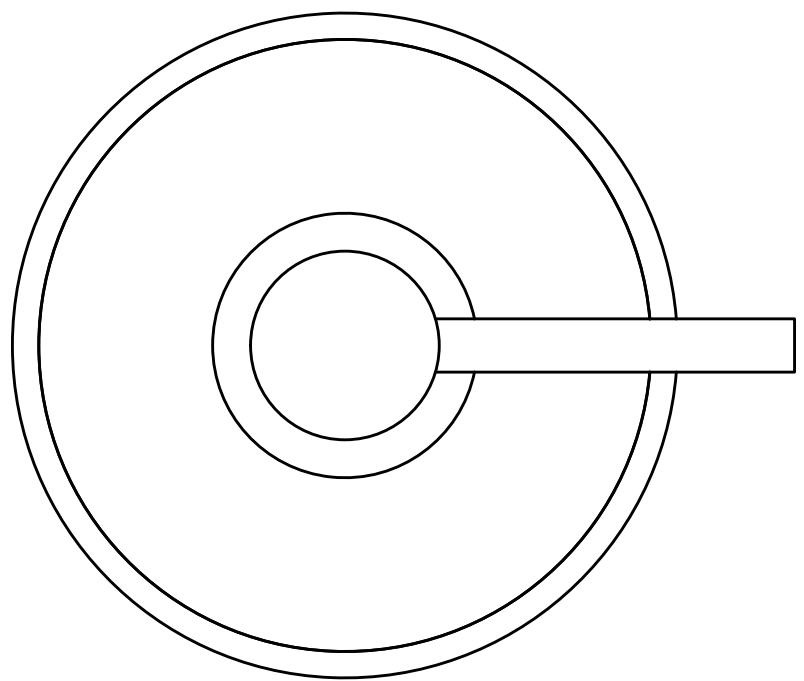
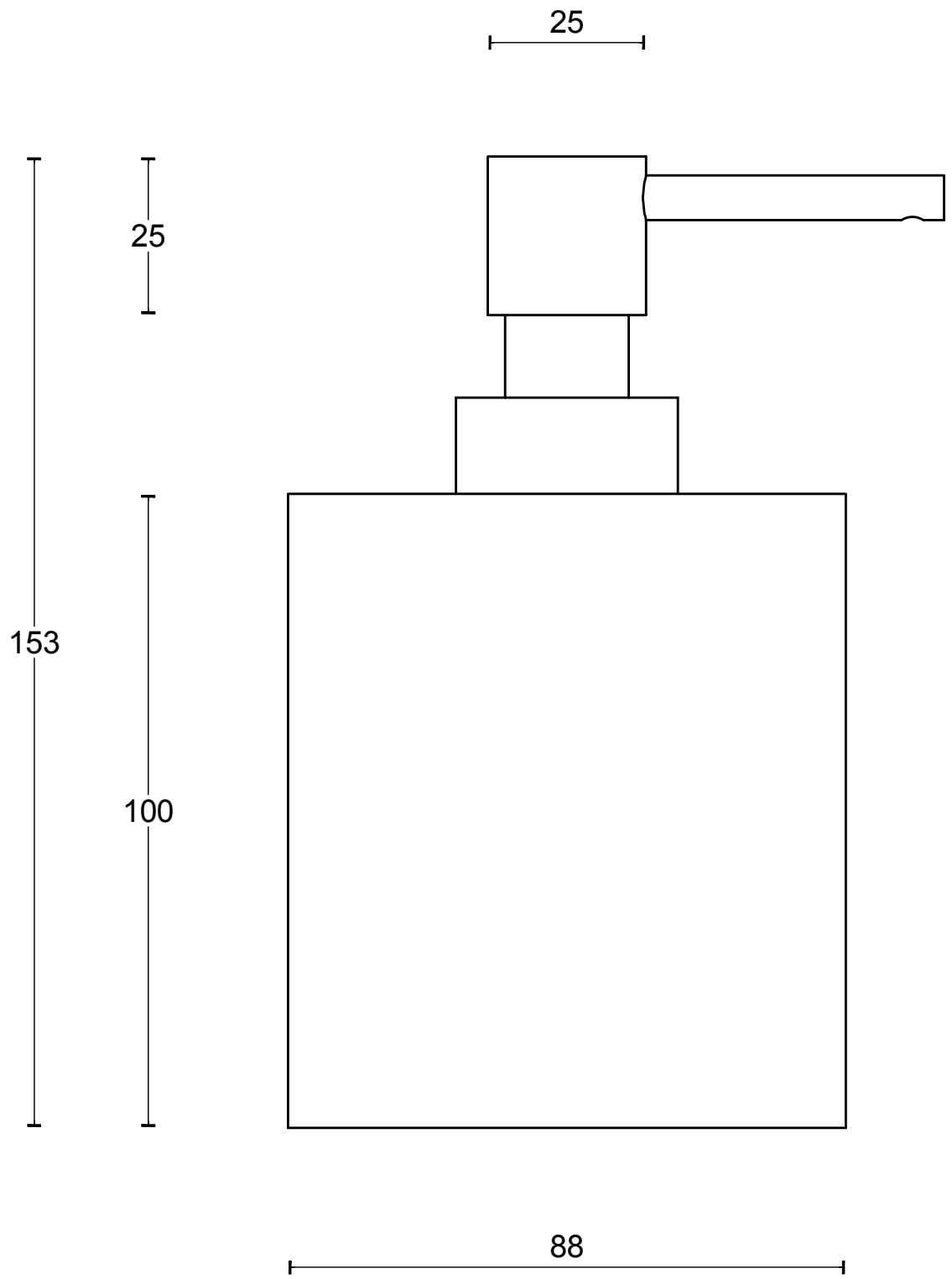
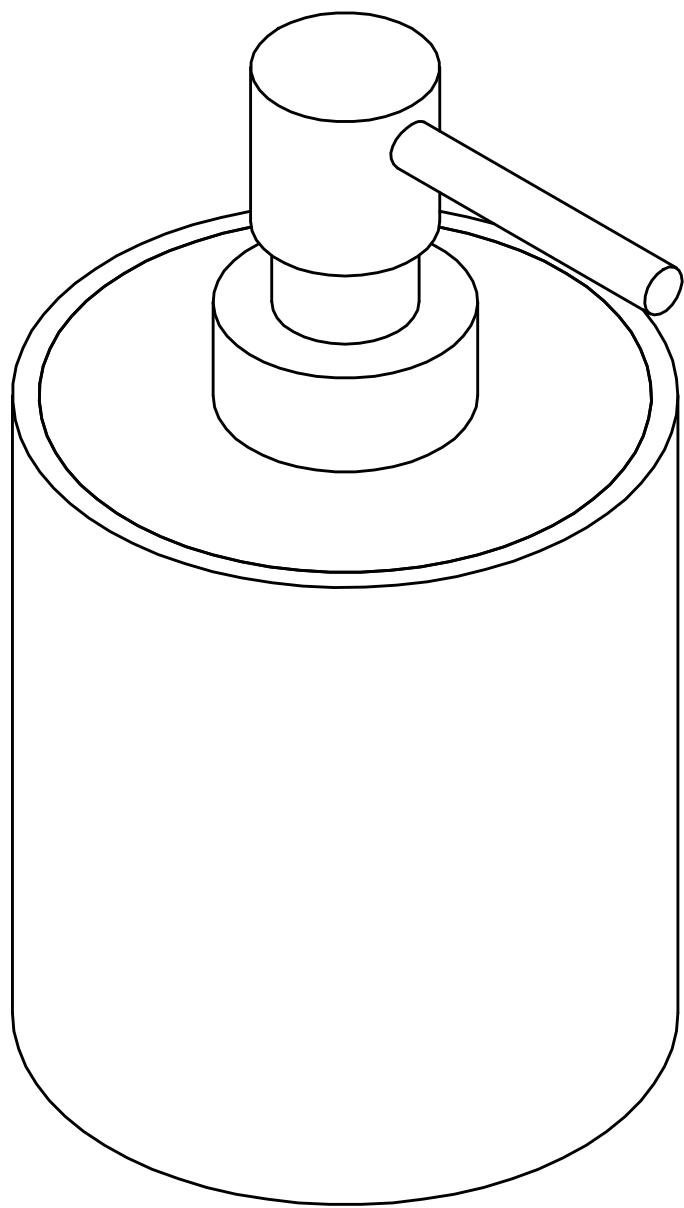


PB502

soap dispenser
free standing
stainless steel AISI 316/corion®



FORMANI [®]		Part number:	
		Description:	
Doc no.:	2706A043 PB502 V02.dwg	PB502	Format:
Drawn by:	Christian Brimbois		A3
	Creation date:	4-9-2017	
FORMANI HOLLAND B.V. EUROPALAAN 12 6199 AB MAASTRICHT-AIRPORT NL T +31 (0)43 308 90 00 INFO@FORMANI.COM FORMANI.COM			