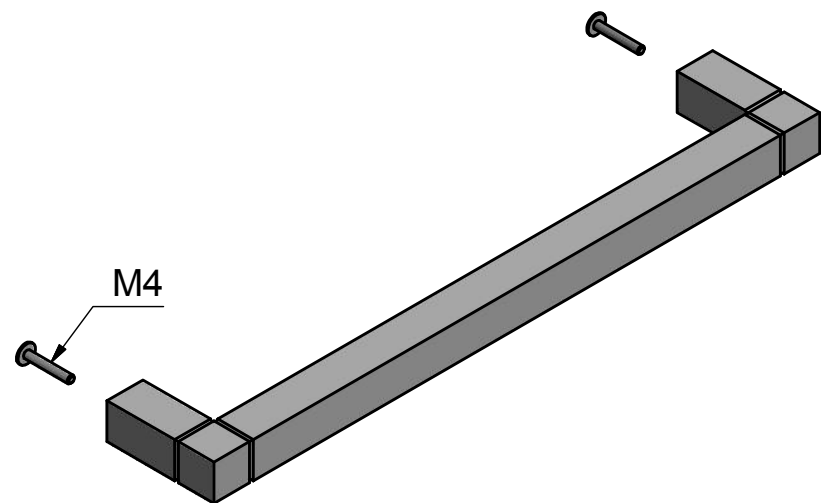
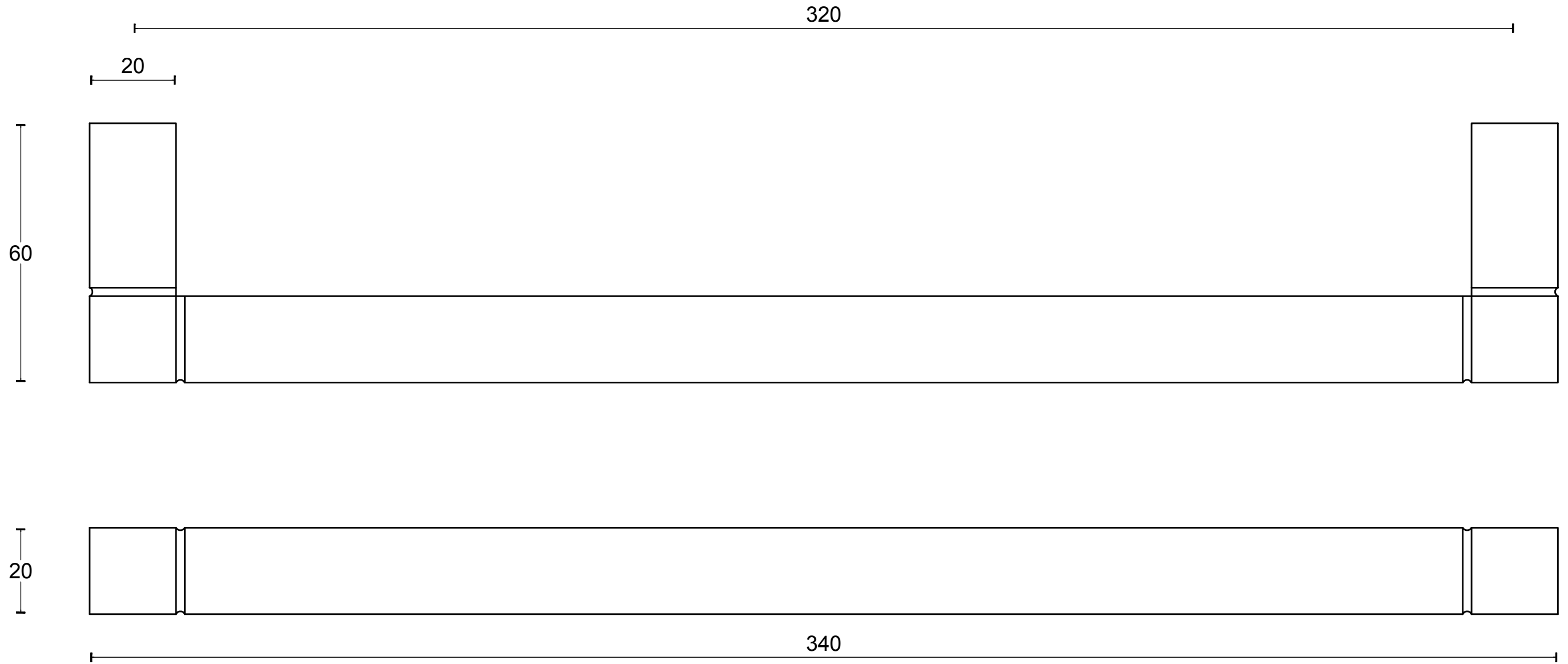


JB20/320

solid cabinet handle
stainless steel



FORMANI®		Part number:	
		Description:	
Doc no.: 3501M001 JB20 320 V03.dwg	JB20/320		Format:
Drawn by: Christian Brimbois	Creation date: 21-4-2017	A3	
FORMANI HOLLAND B.V. EUROPALAAN 12 6199 AB MAASTRICHT-AIRPORT NL T +31 (0)43 308 90 00 INFO@FORMANI.COM FORMANI.COM			